



BAVARIA[®]
Fire Fighting Solutions

BAVARIA POLYMER FIRE CABINETS, REELS, AND RACKS

Together Against Fire



BAVARIA FIRE CABINETS

POLYMER FIRE CABINETS

TECHNICAL SPECIFICATIONS HOSE

REELS, RACKS, AND ACCESSORIES

PAGE 4

PAGE 7





Who said fire cabinets can't look attractive ?

Fire cabinets are gradually transforming from a tool designed to provide safety and protection to a wonderful and chic design, suited to fit the ambiance and place they are positioned in.

Our new collection of polymer fire cabinets adopts the spirit of the time, combining functionality and aesthetics in one go, adding to safety a unique design element.

The latest polymer cabinet models outline a new concept of harmony among all the elements of interior design, including fire fighting products.

The polymer cabinets are intended for indoor use given their unique aesthetic value as well as for outdoor application given their resistance to corrosion and harsh weather conditions. Optimal use includes indoors and outdoors within resorts, hotels, clubs, universities, oil & gas facilities, industrial & commercial facilities, schools, hospitals, airports, on ships and many more.

POLYMER FIRE CABINETS

Crystal

Geometry, visual lightness and transparency are common elements in the Crystal model. This fire cabinet has a clean and minimalistic look to it, given its transparent and fully see through lid with red body. The cabinet's subtle appeal adopts the interiors placed in, with barely any limitations to color, shape or properties of space.



Chevro

Chevro adopts the same visual lightness of Crystal but with a smoky tint. The mix of fumé glass along a patternless lid provides a fine match for a wide variety of classic and modern interiors.



Accent

Delicate and distinct. The Accent model is a see through colorless cabinet with a fine dotted pattern and a polished outlook. Accent cabinets enjoy high visibility along a fine pattern, making them a good match for diverse interiors and across different color palettes.



Smart

Casual chic in a nutshell. Smart adopts the same delicate dotted pattern of Accent but with a tint of red color. The mix of color and subtle pattern match easily with a variety of classic and modern interiors.



POLYMER FIRE CABINETS

Marvel

Inspired by an organic look, the light grey shade makes a subtle and serene statement to the existing color palette of the surrounding interior.

The neutral fire cabinet color is meant to match easily; yet it has a character of its own given its color, diamond pattern and see through element.



Admiral

The Admiral model is our regular red polymer fire cabinet. It fits well with the traditional look and perception of a fire cabinet yet takes a different material choice, namely polymer, instead of steel or stainless steel. It is an excellent choice for both indoor and outdoor applications.



Volcano

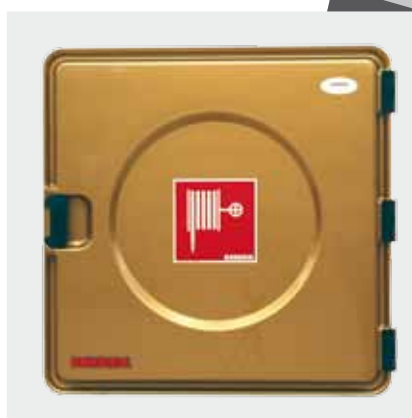
The brilliant red along with the glossy appearance provide the cabinet with a bold and daring element, taking on a modern and futuristic look. A great fit for both interior and exterior design.



Fantasia

As a highly sought after precious metal, the color gold needs no introduction.

The shiny golden metallic shade renders majestic air to the area the fire cabinet is placed in. Gold works well with earth tone colors such as browns, grays, beige and whites; and it also matches with vintage & retro styles as well as with modern trends according to décor and interior design.



POLYMER FIRE CABINETS

Silver Star

Adorned with shimmering silver and vertical thin grey lines, the fire cabinet adds subtle sparkle to the interior. It relies on its attractive metallic look to make a chic statement without dominating the cabinet surroundings.



Polo

With an outstanding geometric design, the Polo model transcends the regular appearance of fire cabinets. It has a bright red polymer exterior that projects a dazzling appeal on the wall & surrounding setting. Suitable for both indoor and outdoor use.



Arcadia

The red dome shaped polymer cabinet is an eye-catcher given its delicate curvature and sleek form. Its beautifully designed shape creates an interesting effect in your inner and outer décor. Designed for indoor and outdoor applications



Anchor

The Anchor model is a bright, red polymer fire cabinet designed uniquely for elegant in-wall installation, intended to optimize space and conform to existing wall lines, reducing visual blockage and protrusion. An excellent fit for both indoor and outdoor use.



TECHNICAL SPECIFICATIONS

General Technical Specifications for Polymer Cabinets

Features:

- Cabinets are designed for wall mounting
- Cabinets are manufactured using shock-resistant special engineered polymers
- Cabinet material withstands harsh weather conditions and is resistant to humidity & corrosion
- All Bavaria Fire Cabinets carry photoluminescent signs that are crucial during emergency situations and power failure
- Door handle allows for quick opening & closing of cabinet
- Door hinges enable it to swing up to 180°
- The cabinet has a flexible design of two inlet holes for a water feeding pipe for easy connection to a water source.

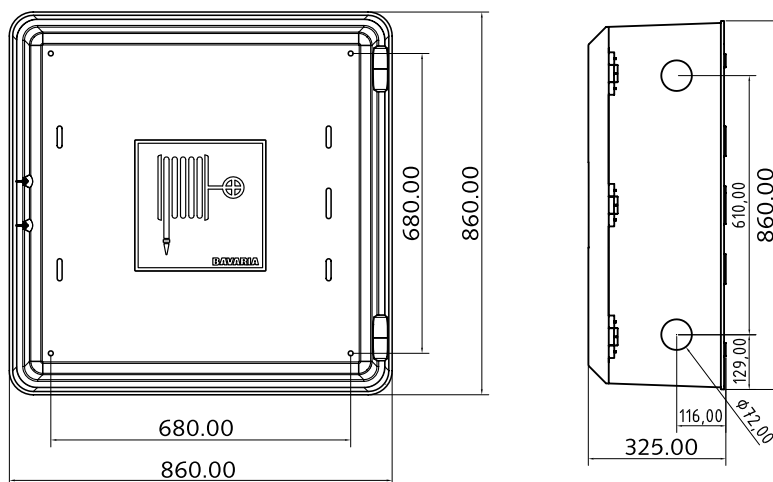
Technical Specifications:

Cabinet Thickness	Approx. 3 mm
Opening Door	Right (standard) or Left (available upon request)

Dimensions for Polymer Cabinets:

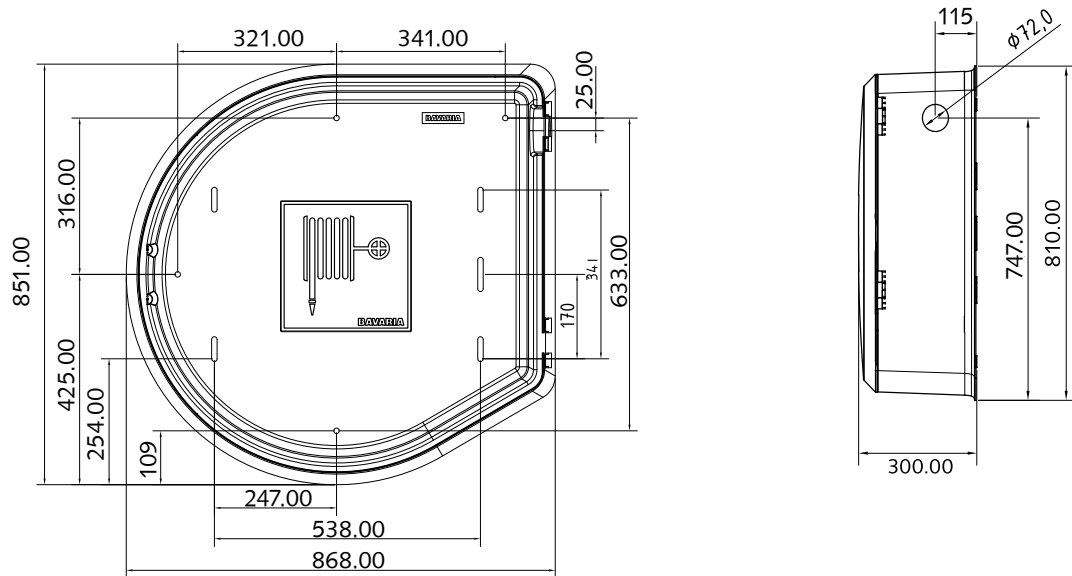
Types	Cabinet Dimensions (wxhxd) mm
Crystal, Chevro, Accent, Smart, Marvel, Admiral, Volcano, Fantasia, Silver Star	860 x 860 x 325
Polo	868 x 851 x 300
Arcadia (under development)	868 x 851 x 300
Anchor	920 x 960 x 310
Red Shell	(620 x 340 x 240) for 3 kg, 4 kg and 6 kg (710 x 340 x 240) for 9 kg and 12 kg Fire Extinguishers
Protector	(640 x 300 x 210) for 3 kg, 4 kg and 6 kg (800 x 340 x 240) for 9 kg and 12 kg Fire Extinguishers

Types: CRYSTAL, CHEVRO, ACCENT, SMART, MARVEL, ADMIRAL, VOLCANO, FANTASIA AND SILVER STAR

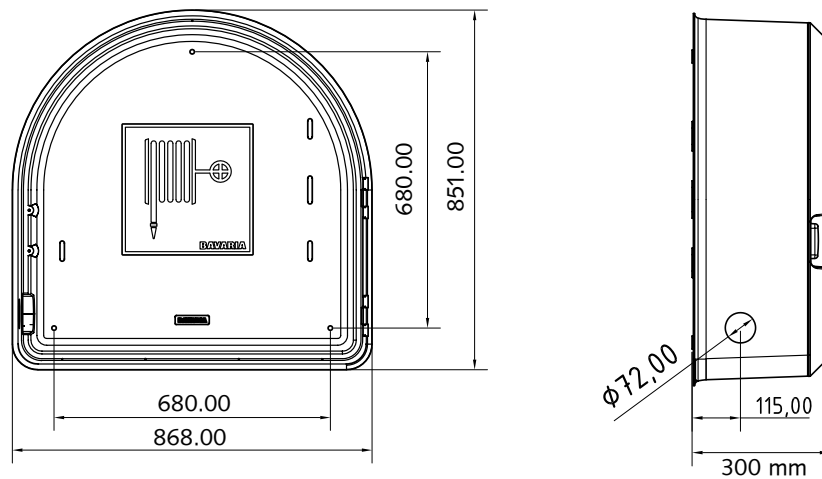


TECHNICAL SPECIFICATIONS

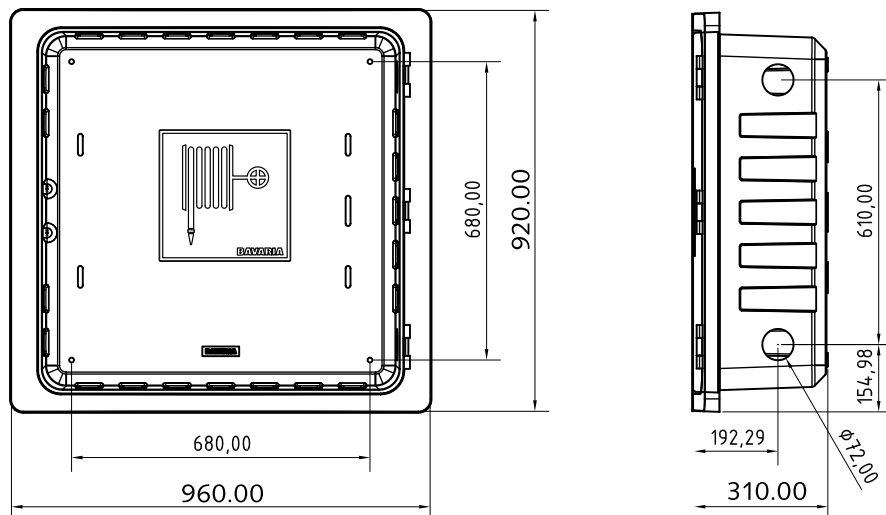
Type: POLO



Type: ARCADIA



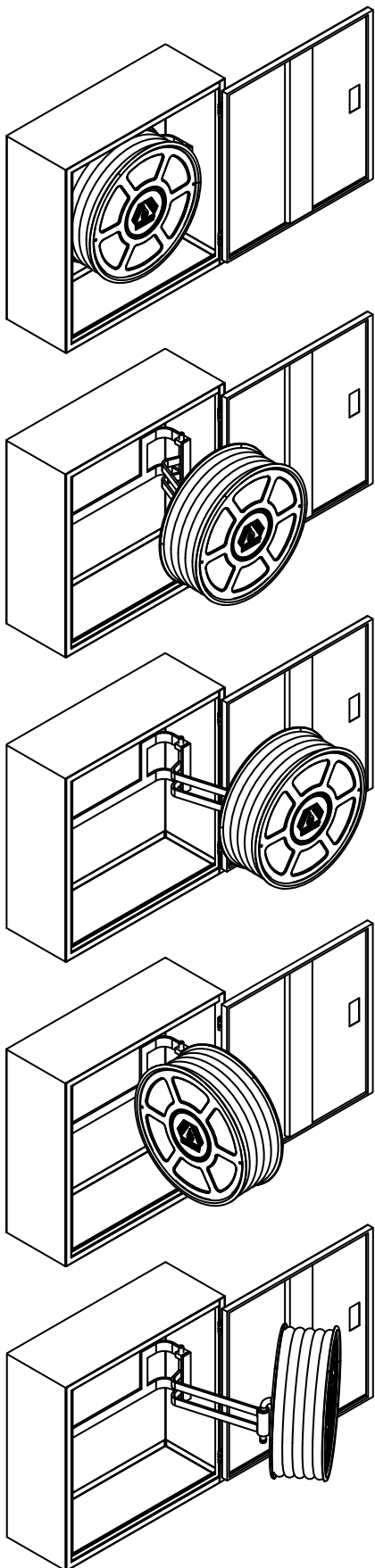
Type: ANCHOR



HOSE REELS, RACKS, AND ACCESSORIES

Standard Technical Specifications

The figures show the movement of the hose reel with the arm



1. Types of Hoses

- Hose reel equipped with ¾ inch (19 mm) diameter reinforced PVC hose or reinforced rubber hose.
- Hose reel equipped with 1 inch (25 mm) diameter reinforced PVC hose or reinforced rubber hose.
- Hose reel equipped with German made 2½ inch (64 mm) diameter flat nylon hose with internal rubber lining.

Type	SHR- ¾	SHR-1	SHR-2½
Hose Reel Diameter	650 mm / 580 mm		
Hose Reel Swinging Range	0° - 180°		
Hose Reel Material	Steel according to DIN 1623		
Hose Reel Paint Finish	Surface treatment and 100% polyester coating		



Manual Valve
for Hose Reel



Automatic Valve
for Hose Reel

Technical Specifications:

Type	SHR-1
Water Way	Manual Valve For Hose Reel/ Automatic Valve for Hose Reel
Water Way Material	Nickle-Chrome Plated Brass
Water Way Diameter	1 inch (25mm)
Approval	UL and FM

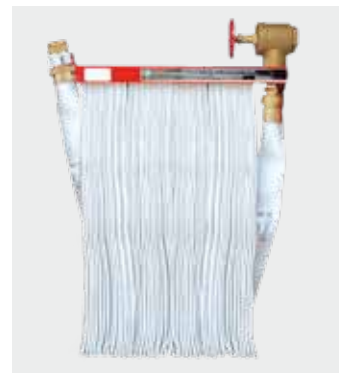
HOSE REELS, RACKS, AND ACCESSORIES

2. Hose Rack

Canadian made hose rack equipped with flat nylon hose with internal rubber lining (UL & FM approved)

Technical Specifications:

Type	HRk-1½
Rack Swinging Range	0° - 90°
Hose Diameter / Length	1½ inch (38 mm) / 30 m
Working Pressure Range	Optimum 5-12 bar
Hose Testing Pressure	Over 17 bar (250 PSI)
Discharge Fitting	Multipurpose water branchpipe nozzle 1½ inch (38 mm)
Accessories	Angle valve 1½ inch (38 mm)
Approval	UL & FM



3. Alarm Point

Integrated free contact break-glass alarm



Hoses:

Hose Material	Reinforced Rubber hose	Flat nylon hose with internal rubber lining
Hose Diameter	¾ inch 1 inch	2½ inch
Hose Length	30 m	
Working Pressure Range	Optimum Working Pressure Range 5 -12 bar	
Hose Bursting Pressure	Over 42 bar	Over 48 bar
Approval	EN694 Type A1	DIN 50049 / EN 10204



Standard Accessories: Discharge Fittings

Hose Diameter	¾ inch and 1 inch	2½ inch
Discharge Fittings	Water pistol, trigger operated to control discharge, made of Copper alloy, Nickel Chrome plated and covered with rubber	BAVARIA water branch-pipe with shut-off nozzle made of Aluminum with a 2½ inch (64 mm) BS 336 instantaneous Morris coupling
Accessories	1 inch (25 mm) ball valve and flexible hose link	Landing valve with Morris coupling 2½ inch (64 mm)



Optional Accessories: Adjustable Fog Nozzle With Bumper To Protect Nozzle

Forged brass finished nozzle with adjustable fog, straight-stream and shut-off feature.

Hose Diameter	1½" inch / 2½" inch	
Material	Brass	
Material Type	(RB) Rough Brass / (PB) Polished Brass	(RB) Rough Brass / (PB) Polished Brass
Inlet / Outlet	1½"	2½"
Approval	UL and FM	



HOSE REELS, RACKS, AND ACCESSORIES

■ Standard Accessories: Landing Valves (fire valves) with 30° Outlet

British Standard **BS 336** Connection, Instantaneous

Inlet thread	Outlet Inst. female	Weight (kg)	Alloy
G 2 A	2½"-Alu	2,100	A

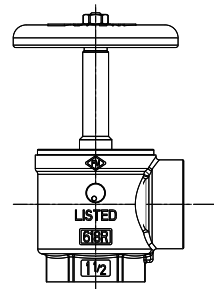


BS 336, Instantaneous

■ Optional Accessories:

Angle Hose Valve is used as a Fire Dept. outlet connection.

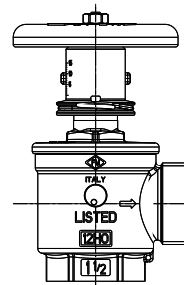
Hose Diameter	¾ inch and 1 inch	2½ inch
Material	Brass	
Material Type	(RB) Rough Brass / (PB) Polished Brass	(RB) Rough Brass / (PB) Polished Brass
Inlet / Outlet	a 1½" / b 1½"	a 2½" / b 2½"
Connection type	Double Female / Female x Male	Double Female / Female x Male
Approval	UL and FM	UL and FM



Pressure reducing device angle valve

Adjustable restriction of residual pressures up to 175 lb = 80 kg. Locking pin device restricts full opening of valve by untrained personnel, pin may be removed by firefighters to allow full opening of valve.

Hose Diameter	¾ inch and 1 inch	2½ inch
Material	Brass	
Material Type	(RB) Rough Brass / (PB) Polished Brass	(RB) Rough Brass / (PB) Polished Brass
Inlet / Outlet	a 1½" / b 1½"	a 2½" / b 2½"
Connection type	Double Female / Female x Male	Double Female / Female x Male
Approval	UL and FM	UL and FM



2½ inch Instantaneous female adapter with female thread

Features:

- Easy for you to connect quickly to your fire equipment
- Universal head size (nominal diameter) offers you interchangeability between all types of instantaneous couplings



Instantaneous Dust Plug with Chain In Plastic (21/2") BS 336

To cover and protect male outlet connections on valves hydrants. Prevents entry of foreign material.

Standard Materials	Body: Aluminum alloy, Brass alloy and PVC plastic; Chain attachment: slated steel
--------------------	--



NOTES

- **BAVARIA® Brandschutz Industrie GmbH & Co.KG**
 Regensburger StraBe 16
 D-93449 Waldmunchen - Germany
 Tel. : +49 (0) 9972/94 01-0
 Fax.: +49 (0) 9972/94 01-17
www.bavaria-firefighting.de
info@bavaria-firefighting.de

- **BAVARIA® Europe Export Office**
 Erlenstegenstrasse 7
 90491 Nürnberg - Germany
 Tel. : +49 (0) 911 597 1177
 Fax.: +49 (0) 911 597 2048
www.bavaria-firefighting.de
info@bavaria-firefighting.de

- **BAVARIA® Brandschutz Industrie GmbH & Co.KG Fire Fighting Training Center**
 Thomas-Mann-Straße 61a
 90471 Nürnberg
 Telefon: +49 (0) 911 59 84 800
 Telefax: +49 (0) 911 59 84 801
nuernberg@bavaria-firefighting.de

- **BAVARIA® Alarm S.A.E.**
 Mr. Ashraf Sawirs - General Manager
 74, El Gomhoria St.
 Cairo, Egypt
 Tel. : +20 2 259 177 58
 Fax : +20 2 258 829 42
info@bavaria-alarm.com.eg
www.bavaria-firefighting.com

- **BAVARIA® Sudan Ltd.**
 Khartoum, Pio-u-Cwan St.
 Khatoum 3 - Sudan
 Tel. : +249 15 79 72 772
 +249 9 16 62 5600
 +249 9 16 62 5222
 Fax : +249 15 7972 771
sales.sudan@bavaria-firefighting.com

- **BAVARIA® Lebanon Ltd.**
 Road No. 52, Building No. 1027
 Area No. 4, Horch Tabet
 Sin El Fiel, Beirut - Lebanon
 Tel.: +961 14 87 893 / 4
 Fax: +961 14 87 895
 Mobile : +961 03 326 253
sales.lebanon@bavaria-firefighting.com

- **BAVARIA® Elmarshreq Firefighting (L.L.C)**
 Eng. Hany Magdy - General Manager
 Office No. 3 Curve Building, Quoz 3,
 Sheikh Zayed Road - Dubai - U.A.E
 Tel. : +971 4346 5456 / 7
 Fax. : +971 4346 5245
 Mobile : +971 50 50 49 591
sales.uae@bavaria-firefighting.com

CONTACT INFORMATION

BAVARIA® EGYPT S.A.E

▪ **BAVARIA Tower:**

Block No. 109 Gisir El Suez St,
Industrial Zone, - Cairo, Egypt
Tel.: +20 (2) 218 20 604 / 5 / 6
Fax: +20 (2) 218 20 609

info@bavaria-firefighting.com
international.sales@bavaria.com.eg
www.bavaria-firefighting.com

▪ **CAIRO Executive Office:**

9, Nagiub El-Rehany St. - Cairo - Egypt
P.O.BOX : 2016 - 11111 Cairo
Tel.: +20 (2) 259 100 50 - 259 180 43
Fax: +20 (2) 259 137 62
domestic.sales@bavaria.com.eg

▪ **LINK BRANCH:**

17, Emad El Din St.
Cairo - Egypt
Tel.: +20 (2) 259 032 20
Fax: +20 (2) 259 049 59
link.sales@bavaria.com.eg

▪ **CITY POINT BRANCH:**

15, Emad El Din St.
Cairo - Egypt
Tel.: +20 (2) 278 678 78 - 278 679 79
Fax: +20 (2) 278 676 76
citypoint.sales@bavaria.com.eg

▪ **CODE BRANCH:**

15, Emad El Din St.
Cairo - Egypt
Tel.: +20 (2) 278 779 40 - 278 779 41
Fax: +20 (2) 278 779 41
code.sales@bavaria.com.eg

▪ **EXPO BRANCH:**

74, El Gomhoria St.
Cairo - Egypt
Tel.: +20 (2) 258 952 36/7
Fax: +20 (2) 258 952 38
expo.sales@bavaria.com.eg

▪ **GISR EL SUEZ SHOWROOM:**

Industrial Zone - Cairo
Misr Ismailia Desert Road
Tel.: +20 (2) 218 20 604
Fax: +20 (2) 218 20 609
gisrelsuez.sales@bavaria.com.eg

▪ **10th OF RAMADAN BRANCH:**

Second Industrial Area
10th of Ramadan - Egypt
Tel.: +20 (15) 367 040
Fax: +20 (15) 367 041
10thoframadan.sales@bavaria.com.eg

▪ **6th of OCTOBER CITY:**

Falcon for Engineering & Tools
Six District, Ninth Quarter
Shop No. 3, 6th of October, Egypt
Tel. - Fax: +20 (2) 3833 2031

▪ **ALEXANDRIA BRANCH:**

14, Zahran Roushdi St.
Glim - Alexandria
Tel.: +20 (3) 58 371 15
Fax: +20 (3) 58 362 90
alexandria.sales@bavaria.com.eg

▪ **BORG EL ARAB BRANCH:**

16, El Baraka Trading Market
Borg El Arab - Egypt
Tel.: +20 (3) 45 943 27
Fax: +20 (3) 45 920 48
borgelarab.sales@bavaria.com.eg

▪ **SADAT CITY BRANCH:**

Sector 30 - Services Center
Second District
Tel.: +20 (48) 26 117 86
Fax: +20 (48) 26 117 87
sadat.sales@bavaria.com.eg

▪ **TANTA BRANCH:**

El Nadi St.
Tanta - Egypt
Tel.: +20 (40) 33 451 29
Fax: +20 (40) 33 34 707
tanta.sales@bavaria.com.eg

▪ **MANSOURA BRANCH:**

51 El-Geish St.,
El-Mansoura City - Egypt .
Tel.: +20 (50) 22 210 65
Fax.: +20 (50) 22 211 53
mansoura.sales@bavaria.com.eg

▪ **SHEBIN EI-KOM BRANCH:**

Gamal Abdel Naser St.,
Shebin El-Kom - Egypt
Tel.: +20 (48) 22 276 98
Fax.: +20 (48) 22 277 15
shebinelkom.sales@bavaria.com.eg

▪ **ISMAILIA BRANCH:**

12, El Souk El Tougary
El Sheikh Zaied City
Tel.: +20 (64) 33 613 30
Fax: +20 (64) 33 235 17
ismailia.sales@bavaria.com.eg

▪ **SUEZ BRANCH:**

337, 23 July St., No. 18
El Suez - Egypt
Tel.: +20 (62) 33 342 00
Fax: +20 (62) 33 342 00
suez.sales@bavaria.com.eg

▪ **PORT SAID BRANCH:**

23, Mahfouz El Agroudi St.
Port Said - Egypt
Tel.: +20 (66) 32 354 62
Fax: +20 (66) 33 290 53
portsaid.sales@bavaria.com.eg

▪ **HURGHADA BRANCH:**

El-Nasr Road - In front of Super
jet Station - Hurghada - Egypt
Tel.: +20 (65) 35 553 79
Fax: +20 (65) 35 553 28
hurghada.sales@bavaria.com.eg

▪ **SHARM EL-SHEIKH BRANCH:**

Salam Road - Nema Bay
Royal Plaza Hotel
Tel.: +20 (69) 36 004 60
Fax: +20 (69) 36 004 61
sharmelsheikh.sales@bavaria.com.eg

▪ **FAYUM BRANCH:**

144 Saad Zaghloul St.,
El-Fayum City - Egypt
Tel.: +20 (84) 63 612 24
Fax.: +20 (84) 63 612 26
fayum.sales@bavaria.com.eg

▪ **MENIA BRANCH:**

28, Adly Yakan St,
Menia - Egypt
Tel.: +20 (86) 23 663 13
Fax: +20 (86) 23 602 43
menia.sales@bavaria.com.eg

▪ **ASSIUT BRANCH:**

El Awkaff Buildings
Assiut - Egypt
Tel.: +20 (88) 23 351 27
Fax: +20 (88) 23 319 48
assiut.sales@bavaria.com.eg

▪ **SOHAG BRANCH:**

El Tahrir Str,
Sohag - Egypt
Tel.: +20 (93) 23 125 09
Fax: +20 (93) 23 287 77
sohag.sales@bavaria.com.eg

▪ **LUXOR BRANCH:**

El Karnak Road
Luxor - Egypt
Tel.: +20 (95) 23 814 51
Fax: +20 (95) 23 814 51
luxor.sales@bavaria.com.eg

▪ **ASWAN BRANCH:**

Abtal El Tahrir St. - Atlas
Aswan - Egypt
Tel.: +20 (97) 23 320 15
Fax: +20 (97) 23 093 45
aswan.sales@bavaria.com.eg

BAVARIA®

Fire Fighting Solutions



info@bavaria-firefighting.com
www.bavaria-firefighting.com



info@bavaria-firefighting.de
www.bavaria-firefighting.de

international.sales@bavaria.com.eg

BAVARIA FIRE CABINETS

BE. DS 2015/2