



BAVARIA[®]
Fire Fighting Solutions

BAVARIA STEEL FIRE CABINETS, REELS, AND RACKS

Together Against Fire

STEEL FIRE CABINETS



Standard

The Standard model is a sturdy red coated steel fire cabinet that honors tradition. This cabinet is designed for wall mounting.



All models can be manufactured upon request as a recessed type for in-wall fitting



Waterman

Waterman introduces the concept of multi-purpose fire cabinets. Its red steel walls conceal two compartments: the first for the hose reel and the second for a fire extinguisher.



Double Decker

The Double Decker fire cabinet provides a flexible solution for different users. Behind its single long lid, it can hold two hose racks/reels or one of each. The contents of the Double Decker are always visible through its glass windows.



Stand Alone

The bright red Stand Alone model provides an effective solution for the outdoors. It does not require any structural support from the building walls as it relies on its own two strong feet. The Stand Alone provides flexibility given its free standing feature and direct connection to the underground water network.

HOSE REELS, RACKS, AND ACCESSORIES

General Technical Specifications for Steel and Stainless Steel Cabinets

Features:

- Regular Cabinet design is for wall mounting and can be manufactured upon request as a recessed type for in-wall fitting
- All Bavaria fire cabinets carry photo luminescent signs that are crucial during emergency situations and power failure
- The cabinet door is provided with a quick opening handle
- The cabinet door hinges enable it to swing up to 180°
- The cabinet has a flexible design of two inlet holes for a water feeding pipe for easy connection to a water source

Technical Specifications:

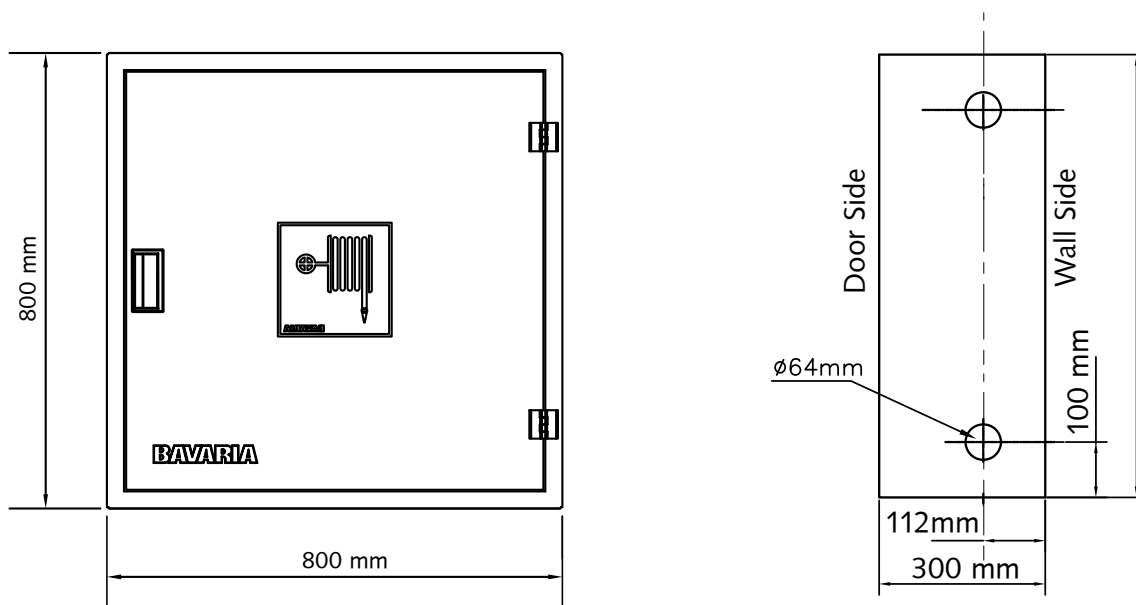
Cabinet Material	Steel according to Din 1623 or Stainless Steel
Opening Door	Right (standard) or Left (available upon request)
Cabinet Steel / Stainless Steel Thickness	1.5 mm
Paint Finish for Steel Cabinets	Surface treatment and 100% polyester coating

Steel and Stainless Steel Cabinet Dimensions

Types	Cabinet Dimensions (wxhxd) mm	Cabinet Material
Standard	800 x 800 x 300	Steel
Waterman	1100 x 800 x 300	Steel
Double Decker	1600 x 800 x 300	Steel
Stand Alone	1800 x 1100 x 300	Steel

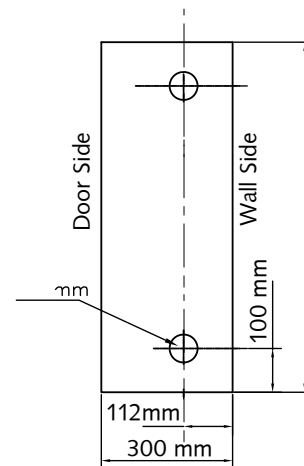
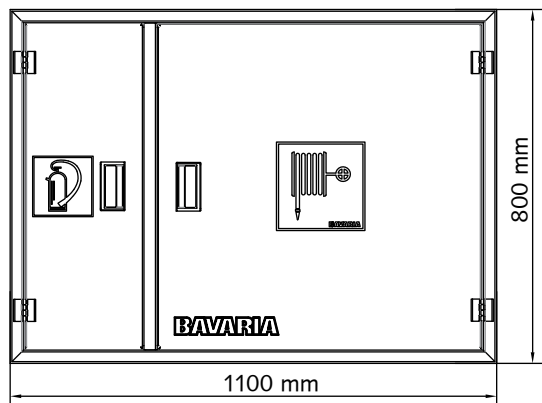
Prima ensures that no requirement goes unmet. For those clients with non-standard requests, this cabinet covers custom-made steel fire cabinets built to their exact specifications in terms of design and special dimensions.

Types: STANDARD AND PLATINUM

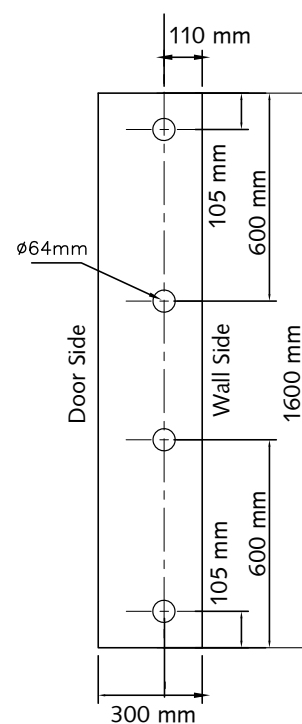
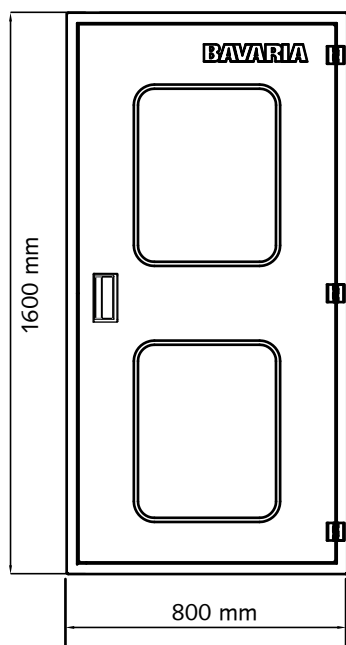


TECHNICAL SPECIFICATIONS

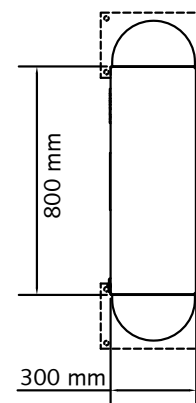
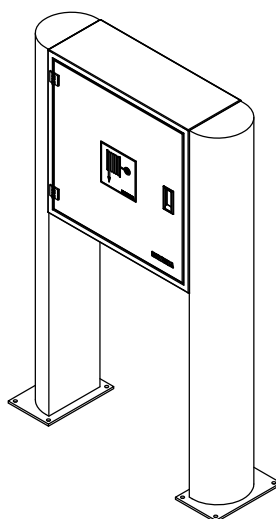
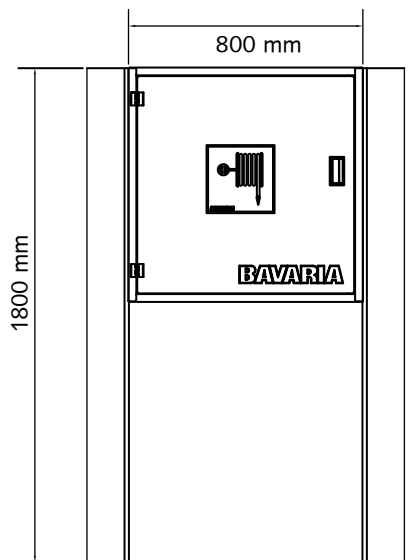
Types: WATERMAN AND AVANTI



Types: DOUBLE DECKER AND DOUBLE ACT



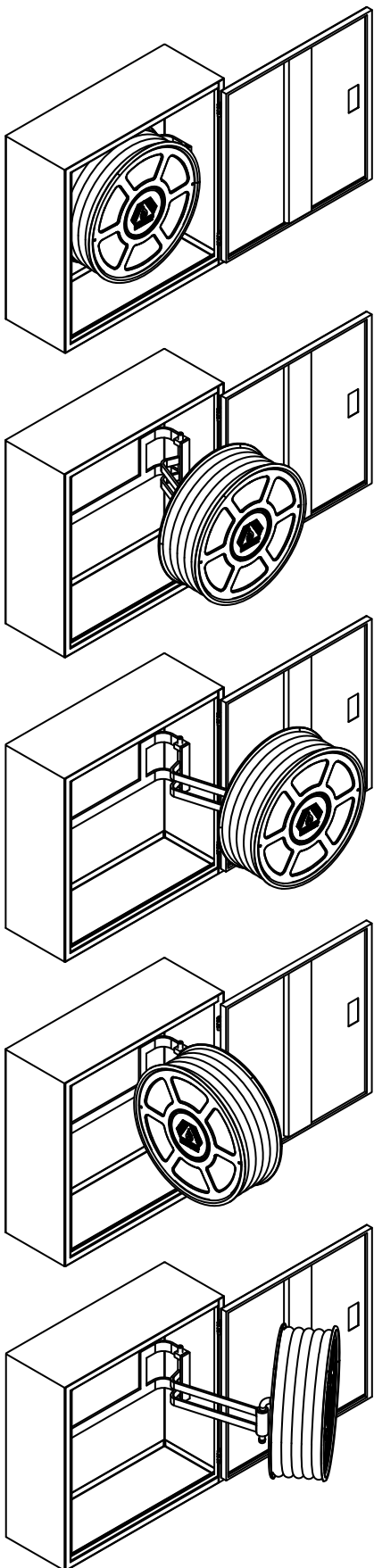
Types: STAND ALONE AND PLATINUM



HOSE REELS, RACKS, AND ACCESSORIES

Standard Technical Specifications

The figures show the movement of the hose reel with the arm



1. Types of Hoses

- Hose reel equipped with ¾ inch (19 mm) diameter reinforced PVC hose or reinforced rubber hose.
- Hose reel equipped with 1 inch (25 mm) diameter reinforced PVC hose or reinforced rubber hose.
- Hose reel equipped with German made 2½ inch (64 mm) diameter flat nylon hose with internal rubber lining.

Type	SHR- ¾	SHR-1	SHR-2½
Hose Reel Diameter	650 mm / 580 mm		
Hose Reel Swinging Range	0° - 180°		
Hose Reel Material	Steel according to DIN 1623		
Hose Reel Paint Finish	Surface treatment and 100% polyester coating		



Manual Valve
for Hose Reel



Automatic Valve
for Hose Reel

Technical Specifications:

Type	SHR-1
Water Way	Manual Valve For Hose Reel/ Automatic Valve for Hose Reel
Water Way Material	Nickle-Chrome Plated Brass
Water Way Diameter	1 inch (25mm)
Approval	UL and FM

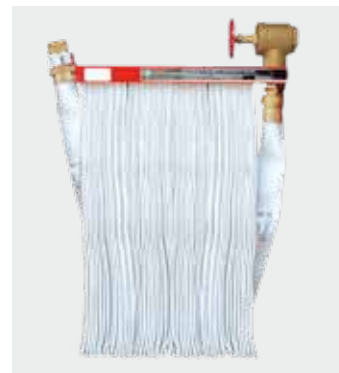
HOSE REELS, RACKS, AND ACCESSORIES

2. Hose Rack

Canadian made hose rack equipped with flat nylon hose with internal rubber lining (UL & FM approved)

Technical Specifications:

Type	HRk-1½
Rack Swinging Range	0° - 90°
Hose Diameter / Length	1½ inch (38 mm) / 30 m
Working Pressure Range	Optimum 5-12 bar
Hose Testing Pressure	Over 17 bar (250 PSI)
Discharge Fitting	Multipurpose water branchpipe nozzle 1½ inch (38 mm)
Accessories	Angle valve 1½ inch (38 mm)
Approval	UL & FM



3. Alarm Point

Integrated free contact break-glass alarm



Hoses:

Hose Material	Reinforced Rubber hose	Flat nylon hose with internal rubber lining
Hose Diameter	¾ inch 1 inch	2½ inch
Hose Length	30 m	
Working Pressure Range	Optimum Working Pressure Range 5 -12 bar	
Hose Bursting Pressure	Over 42 bar	Over 48 bar
Approval	EN694 Type A1	DIN 50049 / EN 10204



Standard Accessories: Discharge Fittings

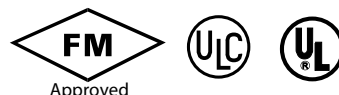
Hose Diameter	¾ inch and 1 inch	2½ inch
Discharge Fittings	Water pistol, trigger operated to control discharge, made of Copper alloy, Nickel Chrome plated and covered with rubber	BAVARIA water branch-pipe with shut-off nozzle made of Aluminum with a 2½ inch (64 mm) BS 336 instantaneous Morris coupling
Accessories	1 inch (25 mm) ball valve and flexible hose link	Landing valve with Morris coupling 2½ inch (64 mm)



Optional Accessories: Adjustable Fog Nozzle With Bumper To Protect Nozzle

Forged brass finished nozzle with adjustable fog, straight-stream and shut-off feature.

Hose Diameter	1½" inch / 2½" inch	
Material	Brass	
Material Type	(RB) Rough Brass / (PB) Polished Brass	(RB) Rough Brass / (PB) Polished Brass
Inlet / Outlet	1½"	2½"
Approval	UL and FM	



HOSE REELS, RACKS, AND ACCESSORIES

■ Standard Accessories: Landing Valves (fire valves) with 30° Outlet

British Standard **BS 336** Connection, Instantaneous

Inlet thread	Outlet Inst. female	Weight (kg)	Alloy
G 2 A	2½"-Alu	2,100	A

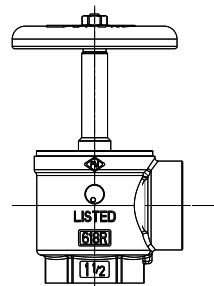


BS 336, Instantaneous

■ Optional Accessories:

Angle Hose Valve is used as a Fire Dept. outlet connection.

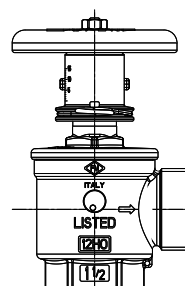
Hose Diameter	¾ inch and 1 inch	2½ inch
Material	Brass	
Material Type	(RB) Rough Brass / (PB) Polished Brass	(RB) Rough Brass / (PB) Polished Brass
Inlet / Outlet	a 1½" / b 1½"	a 2½" / b 2½"
Connection type	Double Female / Female x Male	Double Female / Female x Male
Approval	UL and FM	UL and FM



Pressure reducing device angle valve

Adjustable restriction of residual pressures up to 175 lb = 80 kg. Locking pin device restricts full opening of valve by untrained personnel, pin may be removed by firefighters to allow full opening of valve.

Hose Diameter	¾ inch and 1 inch	2½ inch
Material	Brass	
Material Type	(RB) Rough Brass / (PB) Polished Brass	(RB) Rough Brass / (PB) Polished Brass
Inlet / Outlet	a 1½" / b 1½"	a 2½" / b 2½"
Connection type	Double Female / Female x Male	Double Female / Female x Male
Approval	UL and FM	UL and FM



2½ inch Instantaneous female adapter with female thread

Features:

- Easy for you to connect quickly to your fire equipment
- Universal head size (nominal diameter) offers you interchangeability between all types of instantaneous couplings



Instantaneous Dust Plug with Chain In Plastic (2½") BS 336

To cover and protect male outlet connections on valves hydrants. Prevents entry of foreign material.

Standard Materials	Body: Aluminum alloy, Brass alloy and PVC plastic; Chain attachment: slated steel
--------------------	--



CONTACT INFORMATION

BAVARIA® EGYPT S.A.E

▪ **BAVARIA Tower:**

Block No. 109 Gisir El Suez St,
Industrial Zone, - Cairo, Egypt
Tel.: +20 (2) 218 20 604 / 5 / 6
Fax: +20 (2) 218 20 609
info@bavaria-firefighting.com
international.sales@bavaria.com.eg
www.bavaria-firefighting.com

▪ **CAIRO Executive Office:**

9, Nagiub El-Rehany St. - Cairo - Egypt
P.O.BOX : 2016 - 11111 Cairo
Tel.: +20 (2) 259 100 50 - 259 180 43
Fax: +20 (2) 259 137 62
domestic.sales@bavaria.com.eg

▪ **LINK BRANCH:**

17, Emad El Din St.
Cairo - Egypt
Tel.: +20 (2) 259 032 20
Fax: +20 (2) 259 049 59
link.sales@bavaria.com.eg

▪ **CITY POINT BRANCH:**

15, Emad El Din St.
Cairo - Egypt
Tel.: +20 (2) 278 678 78 - 278 679 79
Fax: +20 (2) 278 676 76
citypoint.sales@bavaria.com.eg

▪ **CODE BRANCH:**

15, Emad El Din St.
Cairo - Egypt
Tel.: +20 (2) 278 779 40 - 278 779 41
Fax: +20 (2) 278 779 41
code.sales@bavaria.com.eg

▪ **EXPO BRANCH:**

74, El Gomhoria St.
Cairo - Egypt
Tel.: +20 (2) 258 952 36/7
Fax: +20 (2) 258 952 38
expo.sales@bavaria.com.eg

▪ **GISR EL SUEZ SHOWROOM:**

Industrial Zone - Cairo
Misr Ismailia Desert Road
Tel.: +20 (2) 269 910 71
Fax: +20 (2) 269 880 75
gisrelsuez.sales@bavaria.com.eg

▪ **10th OF RAMADAN BRANCH:**

Second Industrial Area
10th of Ramadan - Egypt
Tel.: +20 (15) 367 040
Fax: +20 (15) 367 041
10thoframadan.sales@bavaria.com.eg

▪ **6th of OCTOBER CITY:**

Falcon for Engineering & Tools
Six District, Ninth Quarter
Shop No. 3, 6th of October, Egypt
Tel. - Fax: +20 (2) 3833 2031

▪ **ALEXANDRIA BRANCH:**

14, Zahran Roushdi St.
Glim - Alexandria
Tel.: +20 (3) 58 371 15
Fax: +20 (3) 58 362 90
alexandria.sales@bavaria.com.eg

▪ **BORG EL ARAB BRANCH:**

16, El Baraka Trading Market
Borg El Arab - Egypt
Tel.: +20 (3) 45 943 27
Fax: +20 (3) 45 920 48
borgelarab.sales@bavaria.com.eg

▪ **SADAT CITY BRANCH:**

Sector 30 - Services Center
Second District
Tel.: +20 (48) 26 117 86
Fax: +20 (48) 26 117 87
sadat.sales@bavaria.com.eg

▪ **TANTA BRANCH:**

El Nadi St.
Tanta - Egypt
Tel.: +20 (40) 33 451 29
Fax: +20 (40) 33 34 707
tanta.sales@bavaria.com.eg

▪ **MANSOURA BRANCH:**

51 El-Geish St.,
El-Mansoura City - Egypt .
Tel.: +20 (50) 22 210 65
Fax.: +20 (50) 22 211 53
mansoura.sales@bavaria.com.eg

▪ **SHEBIN EI-KOM BRANCH:**

Gamal Abdel Naser St.,
Shebin El-Kom - Egypt
Tel.: +20 (48) 22 276 98
Fax.: +20 (48) 22 277 15
shebinelkom.sales@bavaria.com.eg

▪ **ISMAILIA BRANCH:**

12, El Souk El Tougary
El Sheikh Zaied City
Tel.: +20 (64) 33 613 30
Fax: +20 (64) 33 235 17
ismailia.sales@bavaria.com.eg

▪ **SUEZ BRANCH:**

337, 23 July St., No. 18
El Suez - Egypt
Tel.: +20 (62) 33 342 00
Fax: +20 (62) 33 342 00
suez.sales@bavaria.com.eg

▪ **PORT SAID BRANCH:**

23, Mahfouz El Agroudi St.
Port Said - Egypt
Tel.: +20 (66) 32 354 62
Fax: +20 (66) 33 290 53
portsaid.sales@bavaria.com.eg

▪ **HURGHADA BRANCH:**

El-Nasr Road - In front of Super
jet Station - Hurghada - Egypt
Tel.: +20 (65) 35 553 79
Fax: +20 (65) 35 553 28
hurghada.sales@bavaria.com.eg

▪ **SHARM EL-SHEIKH BRANCH:**

Salam Road - Nema Bay
Royal Plaza Hotel
Tel.: +20 (69) 36 004 60
Fax: +20 (69) 36 004 61
sharmelsheikh.sales@bavaria.com.eg

▪ **FAYUM BRANCH:**

144 Saad Zaghloul St.,
El-Fayum City - Egypt
Tel.: +20 (84) 63 612 24
Fax.: +20 (84) 63 612 26
fayum.sales@bavaria.com.eg

▪ **MENIA BRANCH:**

28, Adly Yakan St,
Menia - Egypt
Tel.: +20 (86) 23 663 13
Fax: +20 (86) 23 602 43
menia.sales@bavaria.com.eg

▪ **ASSIUT BRANCH:**

El Awkaff Buildings
Assiut - Egypt
Tel.: +20 (88) 23 351 27
Fax: +20 (88) 23 319 48
assiut.sales@bavaria.com.eg

▪ **SOHAG BRANCH:**

El Tahrir Str,
Sohag - Egypt
Tel.: +20 (93) 23 125 09
Fax: +20 (93) 23 287 77
sohag.sales@bavaria.com.eg

▪ **LUXOR BRANCH:**

El Karnak Road
Luxor - Egypt
Tel.: +20 (95) 23 814 51
Fax: +20 (95) 23 814 51
luxor.sales@bavaria.com.eg

▪ **ASWAN BRANCH:**

Abtal El Tahrir St. - Atlas
Aswan - Egypt
Tel.: +20 (97) 23 320 15
Fax: +20 (97) 23 093 45
aswan.sales@bavaria.com.eg

BAVARIA®

Fire Fighting Solutions



info@bavaria-firefighting.com
www.bavaria-firefighting.com



info@bavaria-firefighting.de
www.bavaria-firefighting.de

international.sales@bavaria.com.eg

BAVARIA FIRE CABINETS

BE. DS 2015/2